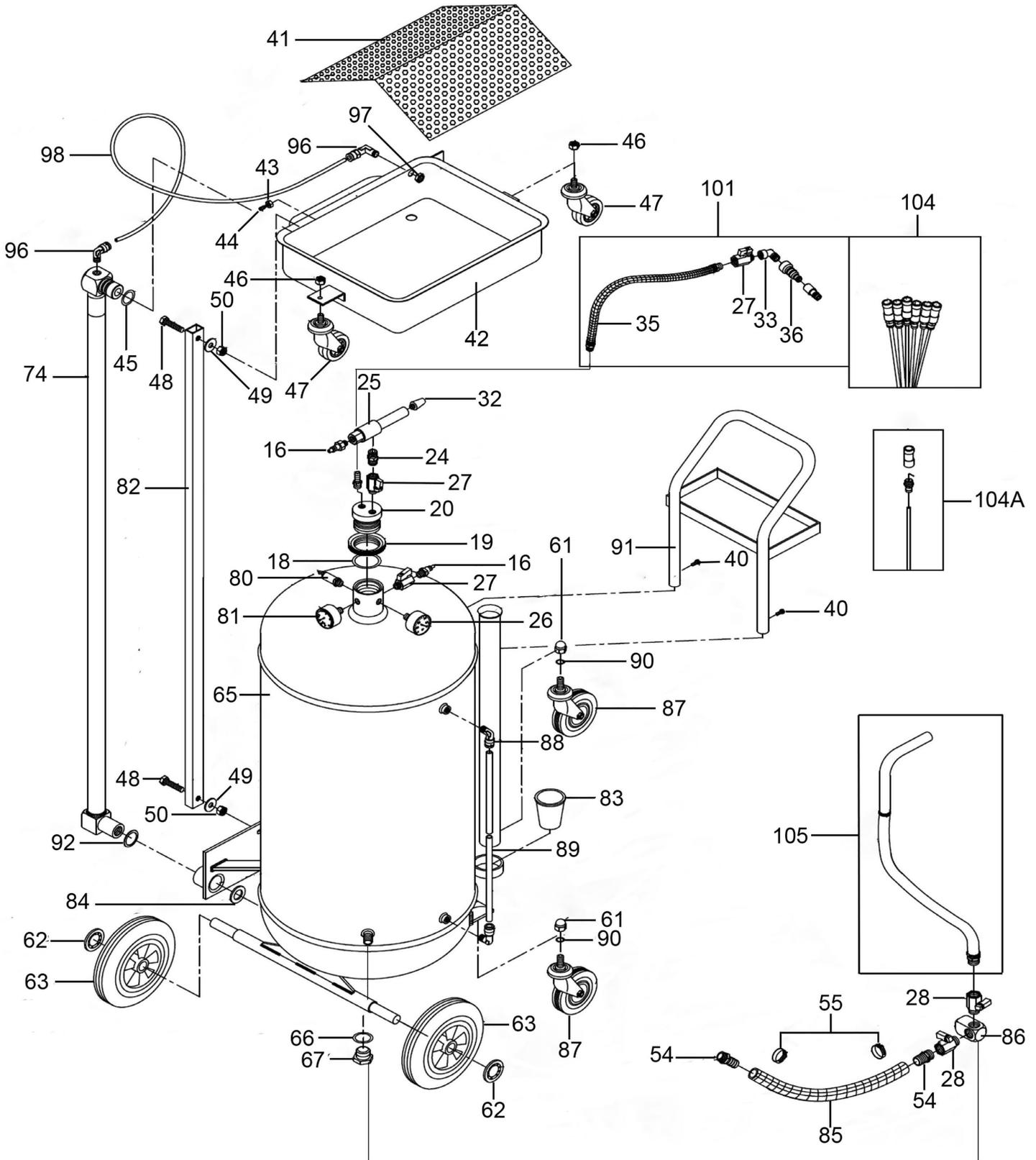


Parts Information:
Mobile Oil Drainer with Probes 80L
Cantilever Air Discharge
Model No: AK462DX.V2



NOTE: It is our policy to continually improve products and as such we reserve the right to alter data, specifications and component parts without prior notice. There may be alternative versions of this product, please contact us should you require this information.

IMPORTANT: No liability is accepted for incorrect use of product. Spare parts must be fitted by a competent person

WARRANTY: Guarantee is 12 months from purchase date, proof of which will be required for any claim.



Parts Information:
Mobile Oil Drainer with Probes 80L
Cantilever Air Discharge
Model No: AK462DX.V2

Item	Part No.	Description
16	CM00507002	Quick Coupling
18	AK458DX.V4-13	O-Ring (51.10 x 44.04 x 3.53)
19	AK462DX.V2-19	Suction Plug Locking Ring
20	CM50332042	Reducer
24	AK4560D.AC7-2	Fitting
25	AS/VENT	Vent
26	AK460DX.16	Gauge 170PSI, Ø 50mm (Rear Fitting)
27	CM02001020	Ball Valve 1/4"
28	CM02001019	Ball Valve 1/2"
32	AK462DX.V2-32	Silencer
33	CM00512014	Elbow Connector 1/4" M/F
35	CM00628014	Transparent Tube
36	AS/TUB	Pipe, Complete
40	AK462DX.V2-40	Handle Screw
41	CM08200008	Oil Pan Mesh
42	CM0820001006	Large Oil Pan
43	CM007704021	Nut
44	CM00712004	Grub Screw
45	2200HL.V2-P39	O-Ring (28.88 x 21.82 x 3.53)
46	SN10.S	Steel Nut M10
47	CM00641007	Wheel, Swivel Castor
48	CM00702045	Screw
49	CM00706007	Washer
50	NLN10.S	Nyloc Nut M10
54	CM00510003	Connection, Fish Pin 1/2" x 20
55	CM00720003	Hose Clamp 19 x 25mm
61	SN12.SD	Steel Nut M12 Domed
62	CM00708002	Ring, Fixing
63	CM00614006	Wheel, Fixed (195 x 47 x 20)
65	AK462DX.V2-65	Tank 80ltr
66	CM00610009	O-Ring (21 x 15.96 x 2.52)
67	CM00503006	Plug
74	CM60304001	Tube
80	CM02002002	Safety Valve
81	CM02003017	Gauge 310PSI Ø 50mm (Bottom Fitting)
82	CM60303001	Bar
83	CM00620001	Plastic Cup

Item	Part No.	Description
84	CM00706014	Washer
85	CM50628004	Tubing
86	CM50363002	Two-Hose Connection
87	CM00641012	Wheel, Swivel Castor
88	CM00512004	Automatic Connection
89	CM00628011	Level Tube
90	FWM12.S	Flat Washer M12
91	AK460DX.11	Handle With Tool Tray
92	CM00706024	Copper Seal Ring
96	CM00512021	Elbow Connector 3/8"M x Push-In
97	CM00705004	Lock Nut
98	CM50628003	Tubing
101	AK462DX.V2-101	Hose, Suction Complete
104	AS/SON	Probe Set
104A	AS/SON5	Probe Flexible 5 x 4
105	AK460DX.37	Oil Discharge Assembly
--	CM00512002	Elbow Connection 1/4" F/F (Not Shown)
--	CM00510007	Fish Pin Connection 1/4" x 14 (Not Shown)
--	CM00720001	Tube Fixing Band (Not Shown)
--	CM00620010	Knob (Not Shown)
--	CM00504010	Reducer (Not Shown)
--	CM00717014	Spring (Not Shown)
--	CM01322056	Pin (Not Shown)
--	CM00708011	Ring (Not Shown)
--	CM50310011	Extension Tube (Not Shown)
--	CM02001009	Valve M/F 1/2" BSP (Not Shown)
--	CM00506003	Adaptor 3/8" x 1/4" (Not Shown)
--	AS/SON6	Probe Flexible 6 x 5 (Not Shown)
--	AS/SON8	Probe Flexible 8 x 7 (Not Shown)
--	AS/SON8F	Probe 8mm x 6mm, Rigid (Not Shown)
--	AS/SON4	Probe 4mm x 2mm, Flexible (Not Shown)
--	CM53003001	Complete Pipe Assembly (Not Shown)
--	CM51322082	Probe Connector (Not Shown)
--	CM00717026	Insert Wire (Not Shown)
--	CM00516004	Connection (Not Shown)
--	CM00630025	Flexible Tube (Not Shown)
--	CM41322056	Pin (Not Shown)

NOTE: It is our policy to continually improve products and as such we reserve the right to alter data, specifications and component parts without prior notice. There may be alternative versions of this product, please contact us should you require this information.

IMPORTANT: No liability is accepted for incorrect use of product. Spare parts must be fitted by a competent person

WARRANTY: Guarantee is 12 months from purchase date, proof of which will be required for any claim.

Sealey Group, Kempson Way, Suffolk Business Park, Bury St Edmunds, Suffolk. IP32 7AR



01284 757500



01284 703534



sales@sealey.co.uk



www.sealey.co.uk